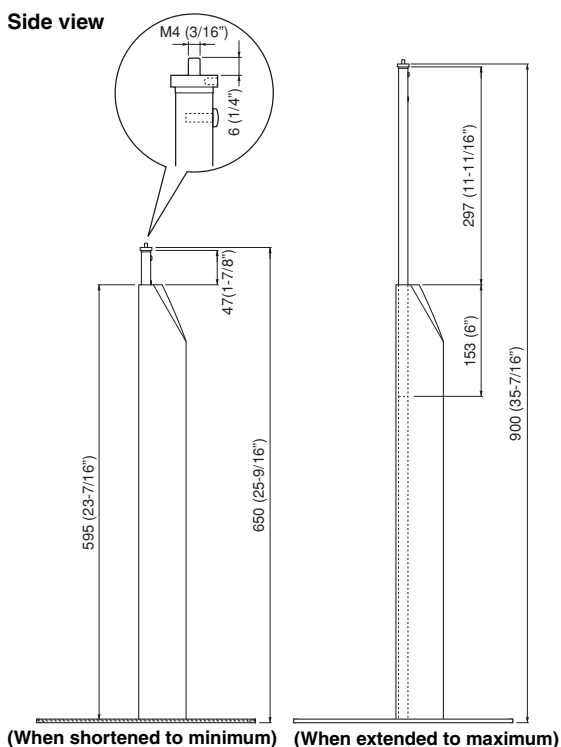
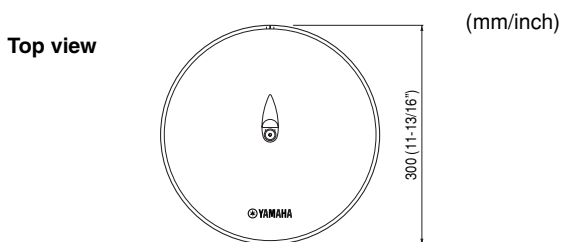


Thank you for selecting this YAMAHA SPS-80 speaker stand.

## PRECAUTIONS

- This speaker stand is only for the speaker systems listed in "USABLE SPEAKERS" below. Do not use the speakers other than these listed.
- To prevent the speaker from falling, use the screws and parts provided with the stand.
- To prevent the speaker stand from falling over, select a location which is flat and stable.
- To avoid accidents resulting from tripping over loose speaker cables and to prevent the speaker stand from falling over, fix the speaker cables to the wall, etc.
- Do not let the children lean on the stand as this might cause the serious accidents resulting from the falling over of the speaker stand.
- To prevent the speaker stand from discoloring and warping, keep the speaker stand away from the stoves and places where it will be exposed to direct sunlight, etc.
- Do not attempt to clean the speaker stand with chemical solvents as this might damage the finish. Use a clean, dry cloth.
- **Secure placement or installation is the owner's responsibility.**  
**YAMAHA shall not be liable for any accident caused by improper placement or installation of speakers.**

## DIMENSIONS



## SPECIFICATIONS

**Dimensions (W x H x D):** 300 x 650 – 900 x 300mm  
 (11-13/16" x 25-9/16"  
 – 35-7/16" x 11-13/16")

**Weight:** 2.1 kg (4 lbs. 10 oz.)

## USABLE SPEAKERS

### YAMAHA

- **NX-230P**  
 (the main and rear speakers included in the NS-P230/NS-P236 speaker package)
- **NX-220P**  
 (the main and rear speakers included in the NS-P220 speaker package)
- **NX-S80S**  
 (the front and rear speakers included in the AVX-S80 sound system)
- **NX-S60S**  
 (the front and rear speakers included in the DVX-S60 sound system)
- **NX-S77E**  
 (the rear speakers included in the AV-S77 sound system)
- **NX-VS10E**  
 (the rear speakers included in the VS-10 sound system)

- \* Use a speaker of 1 kg or less.
- \* Use a speaker with a screw hole of 4 mm in diameter for attaching the speaker mounting bracket.

# SETUP PROCEDURES

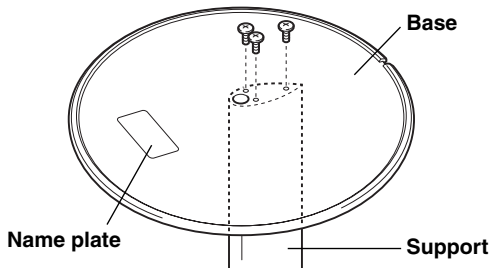
Before beginning the setup, check the parts list and make sure all the parts are included.

NAME	QUANTITY
① Pole	2
② Support	2
③ Base	2
④ + face screws (Diam. x Length: 4 x 8 mm)	6
⑤ Hexagon socket set screws (Diam. x Length: 4 x 6 mm)	5
⑥ Wrench (hexagonal)	1
⑦ Cable protection seal	2
⑧ Rubber cap	2

## ■ SETUP PROCEDURES

(You will need a screwdriver for the setup.)

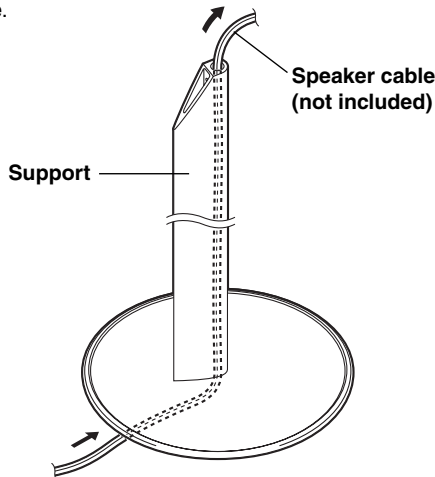
**1** Attach the support to the base by fastening the three + face screws from the holes on the bottom of the base.



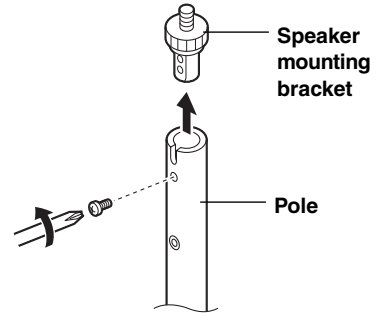
\* Do not overtighten the + self-machine screws. Doing so may damage the screws or assembly.

**2** Pass the speaker cable through the support from the bottom.

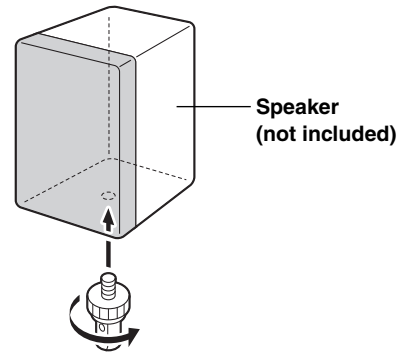
\* A speaker cable more than 4 mm x 2 mm in diameter cannot be used. If you use such a cable, connect it to the speaker's terminals without passing it through the pole.



**3** Remove the speaker mounting bracket from the pole by removing the screw using the screwdriver.

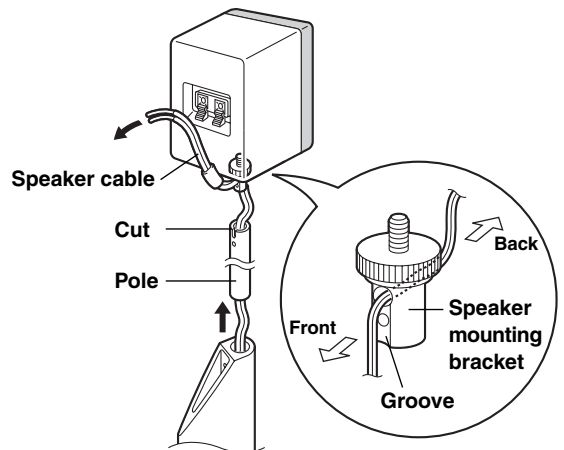


**4** Attach the speaker mounting bracket to the speaker by screwing it into the screw hole on the bottom of the speaker.

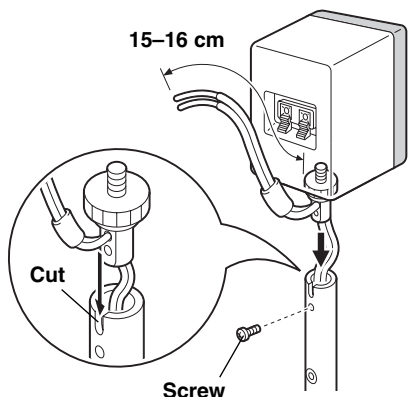


**5** Pass the speaker cable through the pole from the end without the cut.

Then pass the cable through the hole on the speaker mounting bracket from the side with the groove as shown in the figure.

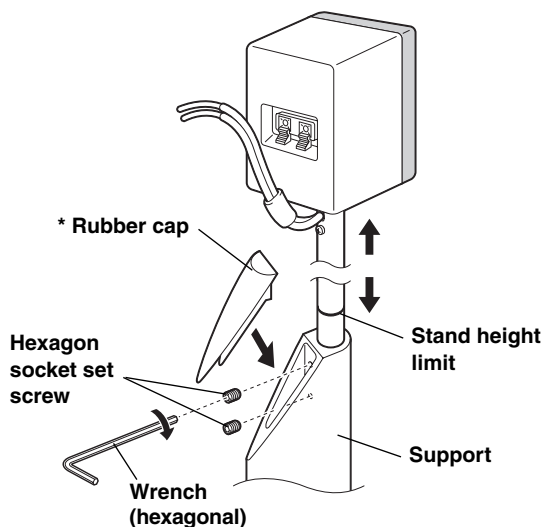


- 6** Pull out the speaker cable in the length of 15 to 16 cm from the speaker mounting bracket. Then attach the speaker mounting bracket to the pole so that the speaker cable fits to the cut in the pole. This will lock the speaker cable. After that, fasten the screw.



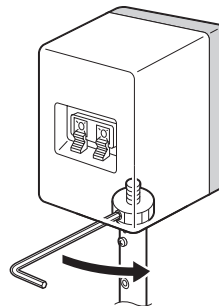
- 7** Insert the pole to the support, and adjust the height of the stand. After adjusting the height, fasten the hexagon socket set screws into the two holes on the support using the longer handle of the included wrench, and attach the rubber cap to the support.

\* The line on the pole shows the limit of the stand height. Do not let the line of the stand height limit go beyond the upper end of the support. Otherwise, the hexagon socket set screw of the lower side becomes ineffective and the fixation becomes unstable.



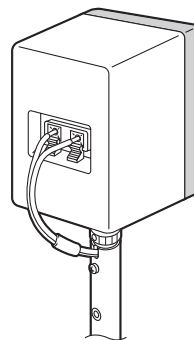
\* The inside of the rubber cap has a space for storing the wrench after the setup.

- 8** Adjust the speaker direction. Then put the wrench into the hole of the speaker mounting bracket, and tighten the bracket to the speaker by moving the wrench counterclockwise.

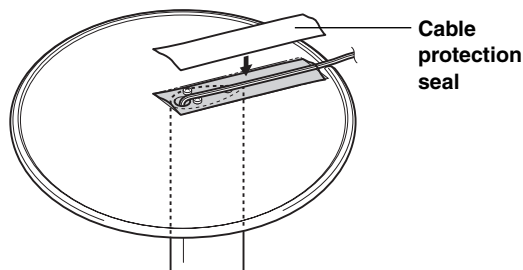


- 9** Connect the speaker cable to the speaker's terminals correctly.

\* Refer to the instruction manual of the speakers for connecting the speaker cables.



- 10** Align the speaker cable to the grooved part of the bottom of the base, and fix the cable on the base by putting the protection seal on it.



The setup has completed.  
In the same way, set up the other stand.

Make sure to note the following when stretching or shortening the pole after the setup.


- Make sure to remove the cable protection seal before stretching or shortening the pole.
- When stretching the pole, pull out the pole carefully with the speaker stand laying along.
- When shortening the pole, retract the pole carefully while pulling out the speaker cable slowly by hand from the base side with the speaker stand laying along.



---

**YAMAHA ELECTRONICS CORPORATION, USA** 6660 ORANGETHORPE AVE., BUENA PARK, CALIF. 90620, U.S.A.  
**YAMAHA CANADA MUSIC LTD.** 135 MILNER AVE., SCARBOROUGH, ONTARIO M1S 3R1, CANADA  
**YAMAHA ELECTRONIK EUROPA G.m.b.H.** SIEMENSSTR, 22-34, 25462 RELLINGEN, BEI HAMBURG, F.R. OF GERMANY  
**YAMAHA ELECTRONIQUE FRANCE S.A.** RUE AMBROISE CROIZAT BP70 CROISSY-BEAUBOURG 77312 MARNE-LA-VALLEE CEDEX02, FRANCE  
**YAMAHA ELECTRONICS (UK) LTD.** YAMAHA HOUSE, 200 RICKMANSWORTH ROAD WATFORD, HERTS WD1 7JS, ENGLAND  
**YAMAHA SCANDINAVIA A.B.** J A WETTERGRENS GATA 1, BOX 30053, 400 43 VASTRA FRÖLUNDA, SWEDEN  
**YAMAHA MUSIC AUSTRALIA PTY, LTD.** 17-33 MARKET ST., SOUTH MELBOURNE, 3205 VIC., AUSTRALIA

**YAMAHA CORPORATION**

Printed in China 

V975830